

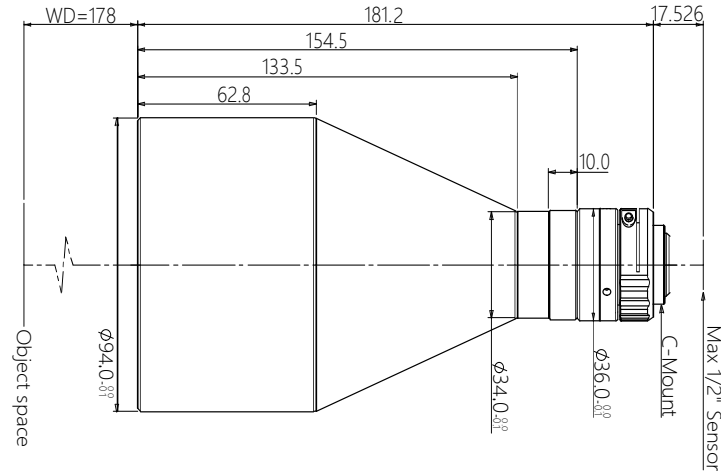


vision solution

Specification

SBS-SCJ178-0.111

High Resolution Double Telecentric Lens



Features (SBS-SCJ series)

- * Excellent double telecentric design for high resolution image result.
- * Field of view is from 26mm to 300mm, suitable for most of application.
- * Big Iris, low distortion, high parallel degree, big depth of view.
- * Sensor size is available for 1/2.5" 1/2" 1/1.8" 2/3" 1" 4/3" 1.75" 2" $\phi 39$ 35mm full.

Parameters

FOV (Dia.mm)	72
Mag.(x)	0.111
WD (mm)	178 \pm 3
Sensor size (Dia.mm)	8.0(1/2")
Image F#	4.2
Image MTF30(pl/mm)	>215
Object DOF (mm)	\pm 35.7@F11
Object distortion (%)	<0.1
Object telecentric degree	<0.1
Object I/O(mm)	377 \pm 3

Mechanical

Mount	C
Total length (mm)	181.2
N.W(KG)	1.0

Field of View (mm x mm)

1/2.5" 9P001/31 (5.7x4.28)	51.4x38.6
1/2.3" 9J003 (6.44x4.62)	58.0x41.6