



### Products Features

- ▶ High intensity.
- ▶ Special optical structure design.
- ▶ Good choice for surface inspection with line scan camera.

### Customization

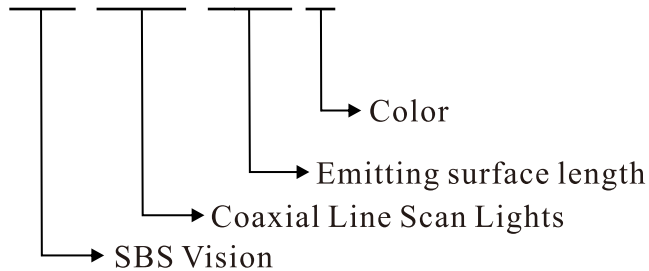
- Length
- Power
- Color
- Cable Length

### Applications the light be used for

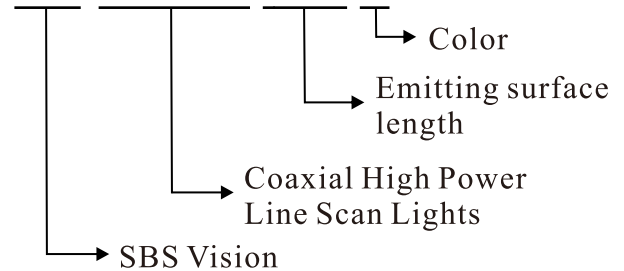
- Steel plate defects inspection.
- Glass defects inspection.
- LCD surface defects inspection.
- PCB solder joint and defects inspection.
- Printing material defects inspection.
- Box selection in the logistic industry.

### Model Description

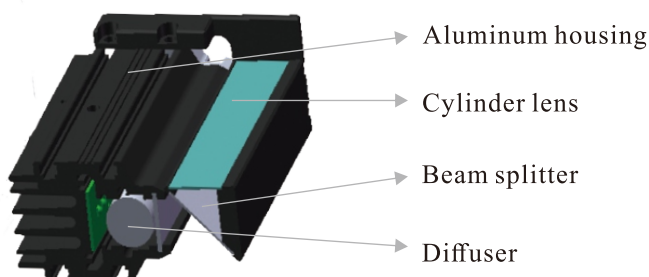
SBS-LSLC-XXX-X



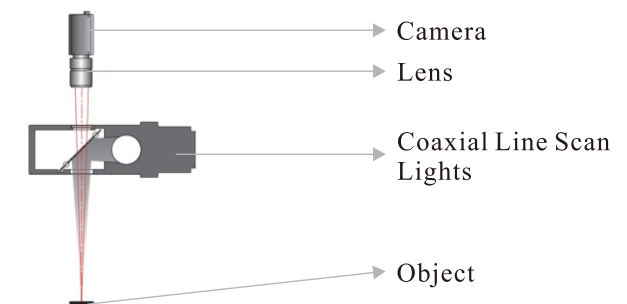
SBS-LSLCHP-XXX-X



### Structure



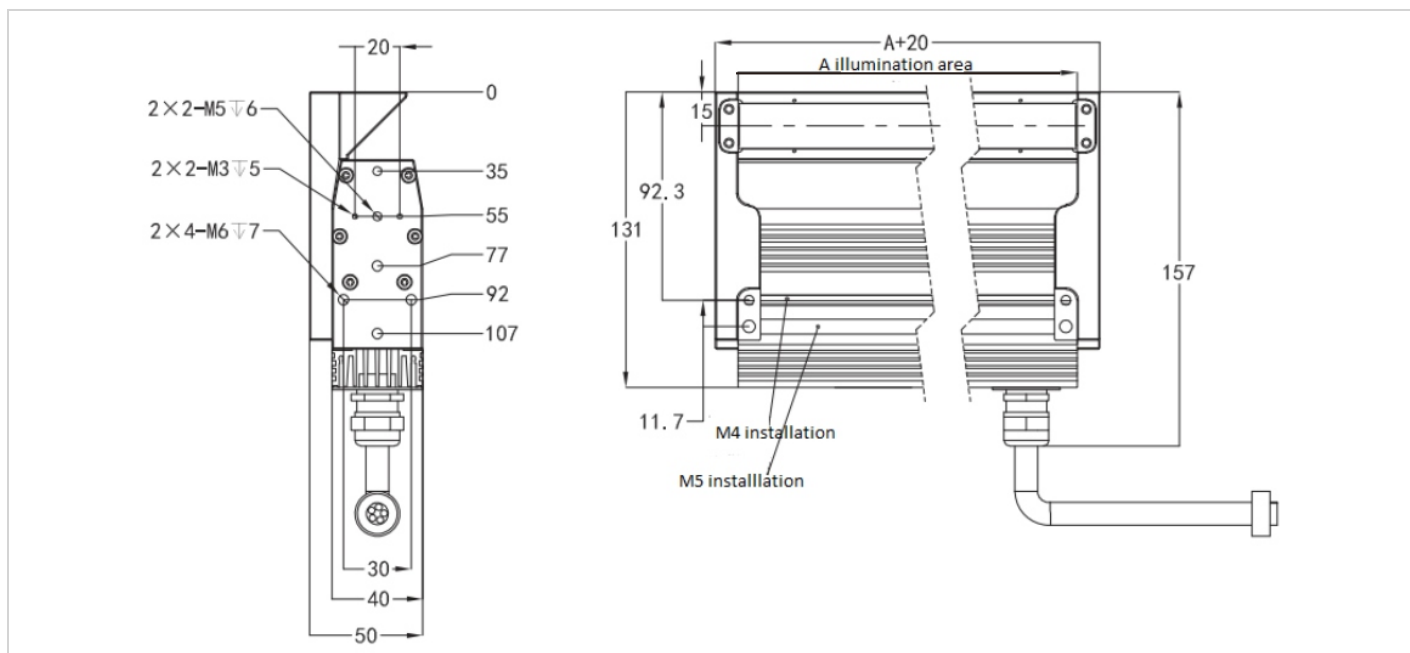
### Components



## Parameter

Item	Model	Power consumption Red Color	Power consumption (W,B,G)	Option	Extension cable	Recommended Controller
1	SBS-LSLC100	Recheck	24V/20.0W	Diffuser	1m/3m/5m	SBS-DCH24/ SBS-DCH48
2	SBS-LSLC150	Recheck	24V/30.0W	Diffuser	1m/3m/5m	
3	SBS-LSLC200	Recheck	24V/40.0W	Diffuser	1m/3m/5m	
4	SBS-LSLC300	Recheck	24V/60.0W	Diffuser	1m/3m/5m	
5	SBS-LSLC400	Recheck	24V/80.0W	Diffuser	1m/3m/5m	
6	SBS-LSLCHP100	Recheck	24V/33.0W	Diffuser	1m/3m/5m	
7	SBS-LSLCHP150	Recheck	24V/50.0W	Diffuser	1m/3m/5m	
8	SBS-LSLCHP200	Recheck	24V/67.0W	Diffuser	1m/3m/5m	
9	SBS-LSLCHP300	Recheck	24V/101.0W	Diffuser	1m/3m/5m	
10	SBS-LSLCHP400	Recheck	24V/135.0W	Diffuser	1m/3m/5m	

## Dimensions(mm)



SBS-LSLC/LSLCHP series