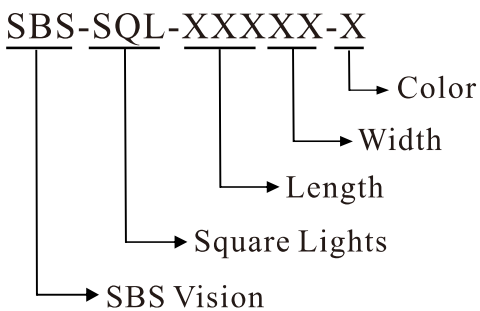


Products Features

- ▶ Using special lighting guide way.
- ▶ Reducing the reflective lighting from object.
- ▶ High uniformity and stability.

Model Description



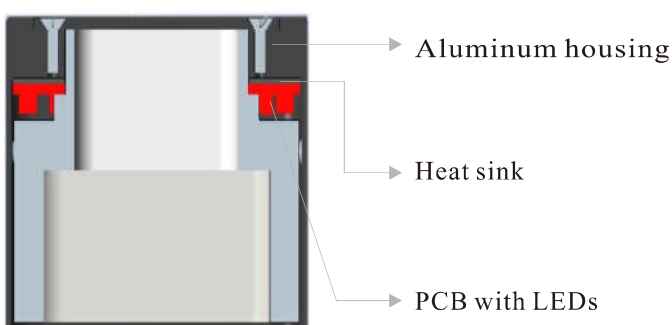
Applications the light be used for

- Chamfer inspection of machining square parts.
- Characters inspection of smooth plastic surface.
- Laser mark inspection of metal surface.
- Pin's flatness inspection of IC.
- IC defects inspection of PCB board.

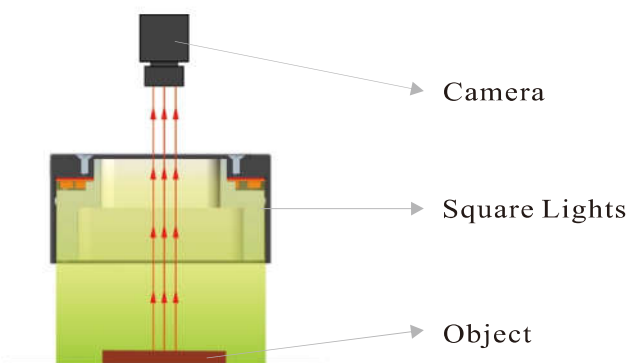
Customization

- Dimensions
- Power
- Color
- Cable length
- Connector
- Mounting

Structure



Components

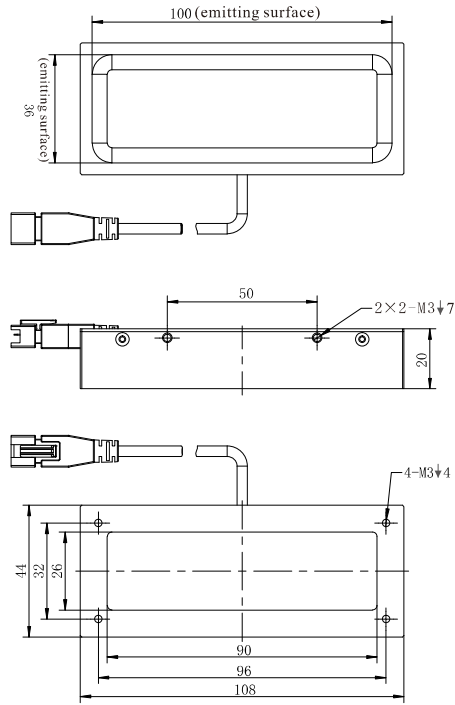


Parameter

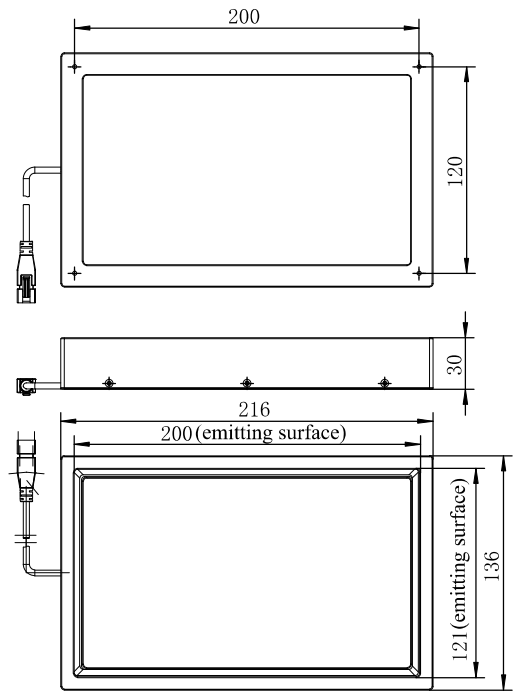
Item	Model	Power consumption Red Color	Power consumption (W,B,G)	Option	Extension cable	Recommended Controller
1	SBS-SQL4848	24V/1.6W	24V/2.1W	Diffuser	1m/3m/5m	SBS-AC24XX-X (Analog controller) SBS-DC24XX-X (Digital controller) SBS-ODC48XX-X (Strobe controller)
2	SBS-SQL7575	24V/2.1W	24V/3.1W	Diffuser	1m/3m/5m	
3	SBS-SQL9696	24V/3.1W	24V/4.1W	Diffuser	1m/3m/5m	
4	SBS-SQL120120	24V/4.1W	24V/5.1W	Diffuser	1m/3m/5m	
5	SBS-SQL10844	24V/3.3W	24V/4.3W	Diffuser	1m/3m/5m	
6	SBS-SQL216136	24V/6.5W	24V/7.5W	Diffuser	1m/3m/5m	
7	SBS-SQL2-4848	24V/1.6W	24V/2.1W	Diffuser	1m/3m/5m	
8	SBS-SQL2-7575	24V/2.1W	24V/3.1W	Diffuser	1m/3m/5m	
9	SBS-SQL2-9696	24V/3.1W	24V/4.1W	Diffuser	1m/3m/5m	
10	SBS-SQL2-120120	24V/4.1W	24V/5.1W	Diffuser	1m/3m/5m	

Dimensions(mm)

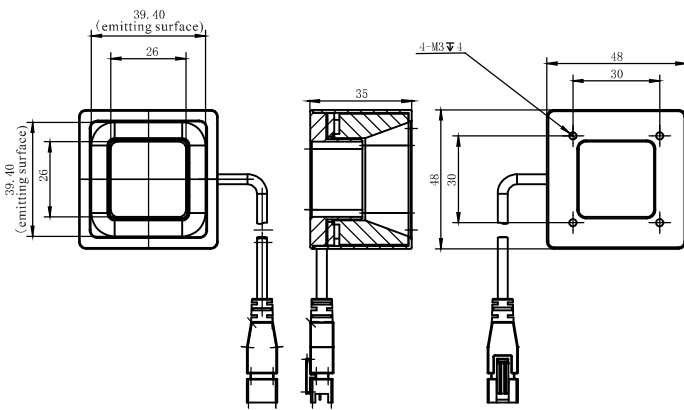
SBS-SQL4848	SBS-SQL7575
SBS-SQL9696	SBS-SQL120120



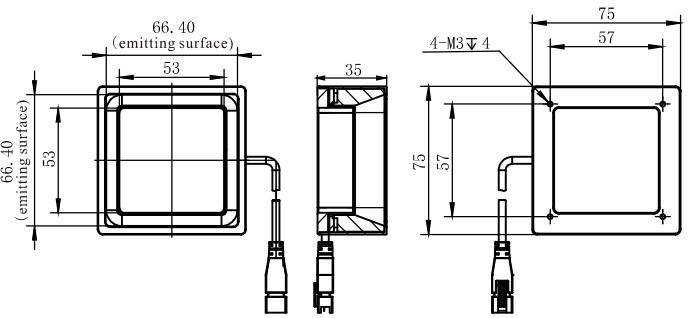
SBS-SQL10844



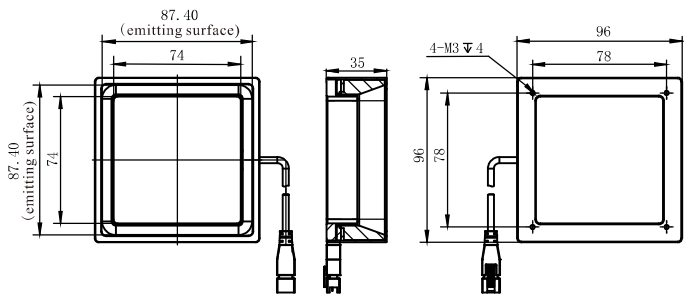
SBS-SQL216316



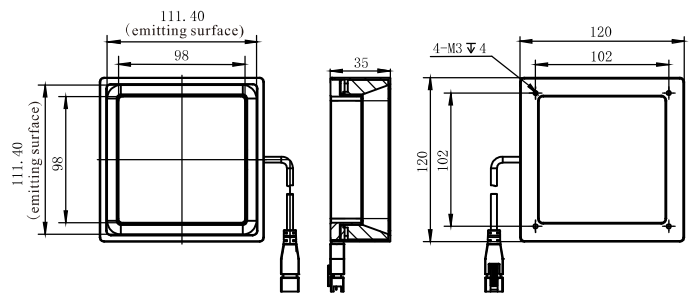
SBS-SQL2-4848



SBS-SQL2-7575



SBS-SQL2-9696



SBS-SQL2-120120