



vision solution

High Power Line

Scan Tunnel Lights SBS-TULHP series



Products Features

- ▶ High intensity.
- ▶ Special optical structure design.
- ▶ High uniformity.

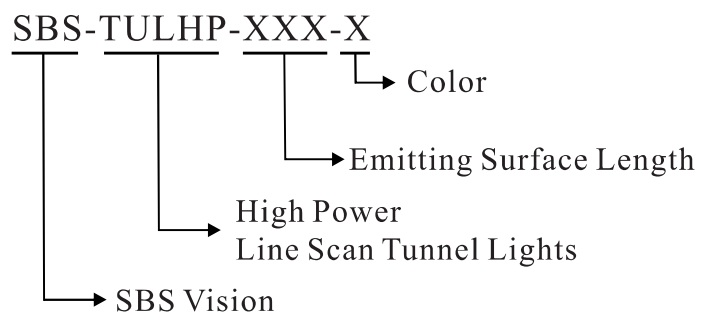
Applications the light be used for

- Packaging inspection.
- PCB defects inspection.
- Fabric appearance inspection.
- Film surface defects inspection.

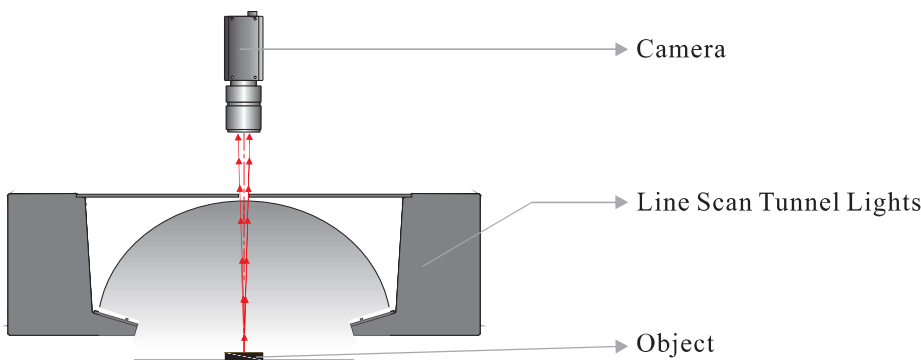
Customization

- Dimensions
- Power
- Color
- Cable length
- Mounting

Model Description



Components



Parameter

| Item No. | Model | Power consumption White Color | Emitting surface (mm) | View window (mm) | Dimension (L*W*H) (mm) | Recommended Controller |
|----------|----------------|-------------------------------|-----------------------|------------------|------------------------|------------------------|
| 1 | SBS-TULHP17350 | 48V/288.0W | 173*50 | 165*9 | 183*225*50 | SBS-DCHP48-X |
| 2 | SBS-TULHP20850 | 48V/400.0W | 208*50 | 200*9 | 218*225*50 | |
| 3 | SBS-TULHP29050 | 48V/500.0W | 290*50 | 282*9 | 300*225*50 | |

Dimensions(mm)

