

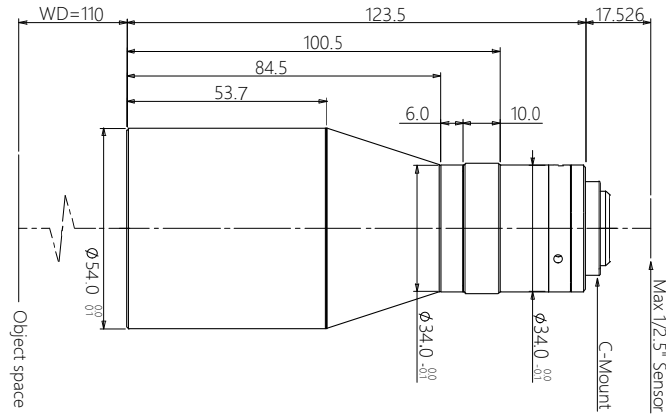


vision solution

# Specification

## SBS-SCJ110-0.2

High Resolution Double Telecentric Lens



### Features (SBS-SCJ series)

- \* Excellent double telecentric design for high resolution image result.
- \* Field of view is from 26mm to 300mm, suitable for most of application.
- \* Big Iris, low distortion, high parallel degree, big depth of view.
- \* Sensor size is available for 1/2.5" 1/2" 1/1.8" 2/3" 1" 4/3" 1.75" 2"  $\phi 39$  35mm full.

### Parameters

FOV (Dia.mm)	36
Mag.(x)	0.200
WD (mm)	110±2
Sensor size (Dia.mm)	7.2(1/2.5")
Image F#	4.2
Image MTF30(pl/mm)	>190
Object DOF (mm)	±11.0@F11
Object distortion (%)	<0.1
Object telecentric degree	<0.1
Object I/O(mm)	251±2

### Mechanical

Mount	C
Total length (mm)	123.5
N.W(KG)	0.4

### Field of View (mm x mm)

1/3" AR130/RJ33 (4.8x3.6)	24.0x18.0
1/2.5" 9P001/31 (5.7x4.28)	28.5x21.4