

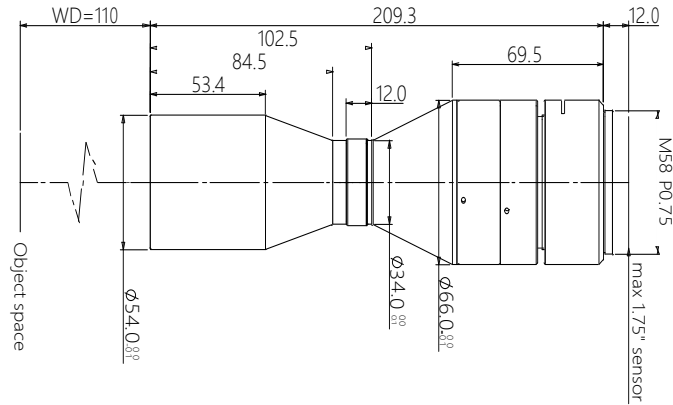


vision solution

# Specification

## SBS-SCJ110-0.806

High Resolution Double Telecentric Lens



### Features (SBS-SCJ series)

- \* Excellent double telecentric design for high resolution image result.
- \* Field of view is from 26mm to 300mm, suitable for most of application.
- \* Big Iris, low distortion, high parallel degree, big depth of view.
- \* Sensor size is available for 1/2.5" 1/2" 1/1.8" 2/3" 1" 4/3" 1.75" 2" Φ39 35mm full.

### Parameters

FOV (Dia.mm)	36
Mag.(x)	0.806
WD (mm)	110±2
Sensor size (Dia.mm)	29(1.75")
Image F#	13.5
Image MTF30(pl/mm)	>60
Object DOF (mm)	±1.2@F20
Object distortion (%)	<0.1
Object telecentric degree	<0.1
Object I/O(mm)	331±2

### Mechanical

Mount	M42/M48/M58
Total length (mm)	209.3
N.W(KG)	1.0

### Field of View (mm x mm)

1.75" CMV12000 (22.53x16.90)	28.0x21.0
1.75" PYTHON16k (18.43x18.43)	22.9x22.9
1.75" LineScan-4k (28.8mm)	35.7