

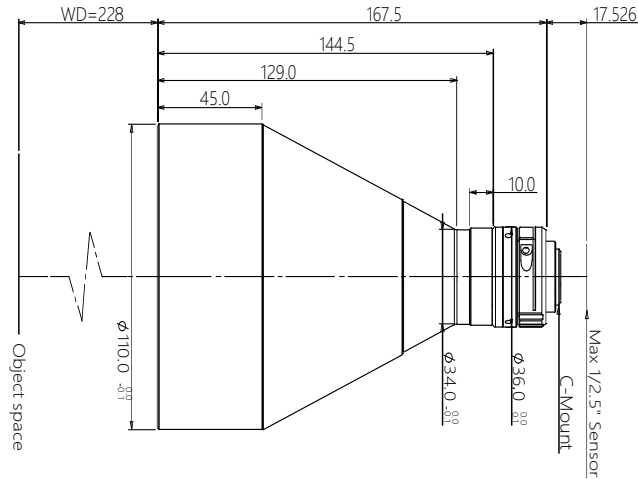


vision solution

Specification

SBS-SCJ228-0.09

High Resolution Double Telecentric Lens



Features (SBS-SCJ series)

- * Excellent double telecentric design for high resolution image result.
- * Field of view is from 26mm to 300mm, suitable for most of application.
- * Big Iris, low distortion, high parallel degree, big depth of view.
- * Sensor size is available for 1/2.5" 1/2" 1/1.8" 2/3" 1" 4/3" 1.75" 2" $\phi 39$ 35mm full.

Parameters

FOV (Dia.mm)	80
Mag.(x)	0.090
WD (mm)	228 \pm 4
Sensor size (Dia.mm)	7.2(1/2.5")
Image F#	4.2
Image MTF30(pl/mm)	>205
Object DOF (mm)	\pm 54.3@F11
Object distortion (%)	<0.1
Object telecentric degree	<0.1
Object I/O(mm)	413 \pm 4

Mechanical

Mount	C
Total length (mm)	167.5
N.W(KG)	1.9

Field of View (mm x mm)

1/3" AR130/RJ33 (4.8x3.6)	53.3x40.0
1/2.5" 9P001/31 (5.7x4.28)	63.3x47.6