

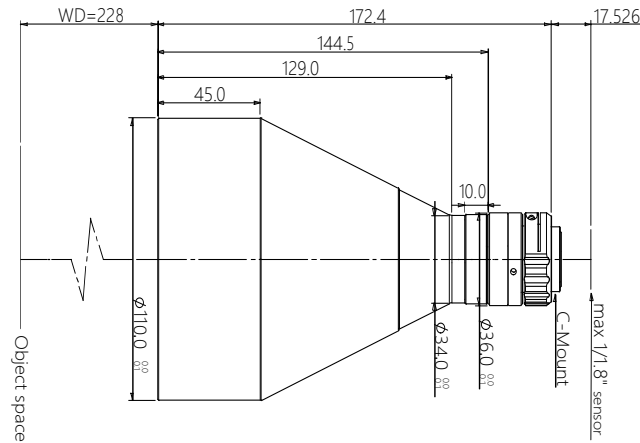


vision solution

# Specification

## SBS-SCJ228-0.113

High Resolution Double Telecentric Lens



### Features (SBS-SCJ series)

- \* Excellent double telecentric design for high resolution image result.
- \* Field of view is from 26mm to 300mm, suitable for most of application.
- \* Big Iris, low distortion, high parallel degree, big depth of view.
- \* Sensor size is available for 1/2.5" 1/2" 1/1.8" 2/3" 1" 4/3" 1.75" 2"  $\phi 39$  35mm full.

### Parameters

FOV (Dia.mm)	80
Mag.(x)	0.113
WD (mm)	228±4
Sensor size (Dia.mm)	9.0(1/1.8")
Image F#	4.6
Image MTF30(pl/mm)	>195
Object DOF (mm)	±34.8@F11
Object distortion (%)	<0.1
Object telecentric degree	<0.1
Object I/O(mm)	418±4

### Mechanical

Mount	C
Total length (mm)	172.4
N.W(KG)	1.9

### Field of View (mm x mm)

1/1.8" IMX178 (7.43x4.9)	65.8x43.4
1/1.8" IMX252/265 (7.1x5.3)	62.8x46.9