

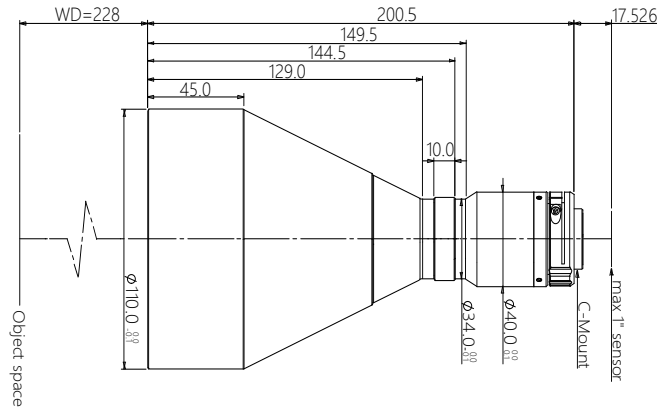


vision solution

# Specification

## SBS-SCJ228-0.208

High Resolution Double Telecentric Lens



### Features (SBS-SCJ series)

- \* Excellent double telecentric design for high resolution image result.
- \* Field of view is from 26mm to 300mm, suitable for most of application.
- \* Big Iris, low distortion, high parallel degree, big depth of view.
- \* Sensor size is available for 1/2.5" 1/2" 1/1.8" 2/3" 1" 4/3" 1.75" 2" Φ39 35mm full.

### Parameters

FOV (Dia.mm)	80
Mag.(x)	0.208
WD (mm)	228±4
Sensor size (Dia.mm)	16.6(1")
Image F#	6.5
Image MTF30(pl/mm)	>135
Object DOF (mm)	±14.8@F16
Object distortion (%)	<0.1
Object telecentric degree	<0.1
Object I/O(mm)	446±4

### Mechanical

Mount	C
Total length (mm)	200.5
N.W(KG)	2.0

### Field of View (mm x mm)

1" PYTHON 5000(12.43x9.83)	59.8x47.3
1" IMX255(14.19x7.51)	68.2x36.1
1" IMX183(13.13x8.76)	63.1x42.1