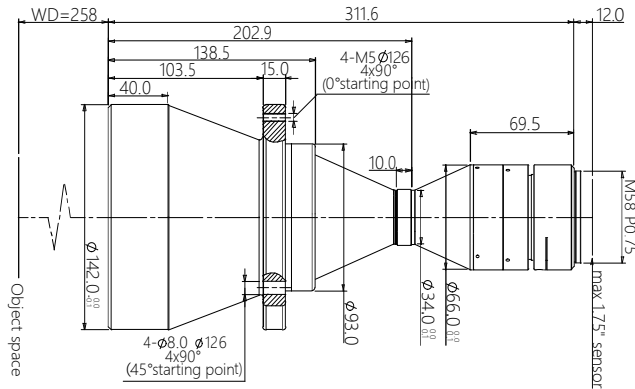




vision solution

# Specification

## SBS-SCJ258-0.29 High Resolution Double Telecentric Lens



### Features (SBS-SCJ series)

- \* Excellent double telecentric design for high resolution image result.
- \* Field of view is from 26mm to 300mm, suitable for most of application.
- \* Big Iris, low distortion, high parallel degree, big depth of view.
- \* Sensor size is available for 1/2.5" 1/2" 1/1.8" 2/3" 1" 4/3" 1.75" 2"  $\phi 39$  35mm full.

### Parameters

FOV (Dia.mm)	100
Mag.(x)	0.290
WD (mm)	258 $\pm$ 4
Sensor size (Dia.mm)	29(1.75")
Image F#	11.3
Image MTF30(pl/mm)	>70
Object DOF (mm)	$\pm$ 9.5@F20
Object distortion (%)	<0.1
Object telecentric degree	<0.1
Object I/O(mm)	582 $\pm$ 4

### Mechanical

Mount	M42/M48/M58
Total length (mm)	311.6
N.W(KG)	3.6

### Field of View (mm x mm)

1.75" CMV12000 (22.53x16.90)	77.7x58.3
1.75" PYTHON16k (18.43x18.43)	63.6x63.6
1.75" LineScan-4k (28.8mm)	99.3