

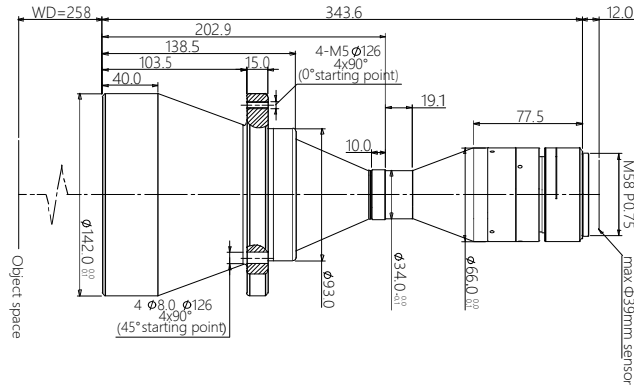


vision solution

Specification

SBS-SCJ258-0.39

High Resolution Double Telecentric Lens



Features (SBS-SCJ series)

- * Excellent double telecentric design for high resolution image result.
- * Field of view is from 26mm to 300mm, suitable for most of application.
- * Big Iris, low distortion, high parallel degree, big depth of view.
- * Sensor size is available for 1/2.5" 1/2" 1/1.8" 2/3" 1" 4/3" 1.75" 2" $\phi 39$ 35mm full.

Parameters

FOV (Dia.mm)	100
Mag.(x)	0.390
WD (mm)	258±4
Sensor size (Dia.mm)	39
Image F#	15.3
Image MTF30(pl/mm)	>55
Object DOF (mm)	±5.2@F20
Object distortion (%)	<0.1
Object telecentric degree	<0.1
Object I/O(mm)	614±4

Mechanical

Mount	M58 or other
Total length (mm)	343.6
N.W(KG)	3.7

Field of View (mm x mm)

CHR 70M (31.0x21.7)	79.5x55.6
---------------------	-----------