

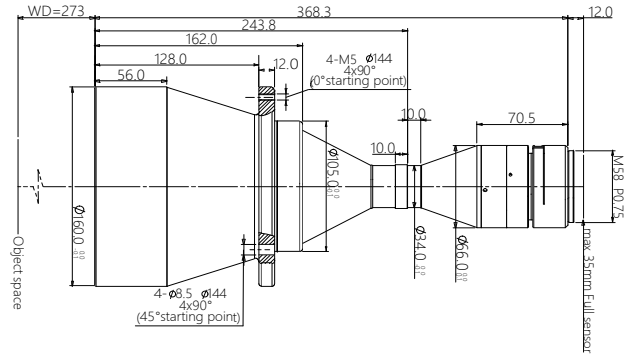


vision solution

Specification

SBS-SCJ273-0.275

High Resolution Double Telecentric Lens



Features (SBS-SCJ series)

- * Excellent double telecentric design for high resolution image result.
- * Field of view is from 26mm to 300mm, suitable for most of application.
- * Big Iris, low distortion, high parallel degree, big depth of view.
- * Sensor size is available for 1/2.5" 1/2" 1/1.8" 2/3" 1" 4/3" 1.75" 2" Φ39 35mm full.

Parameters

| | |
|---------------------------|----------|
| FOV (Dia.mm) | 120 |
| Mag.(x) | 0.275 |
| WD (mm) | 273±5 |
| Sensor size (Dia.mm) | 33(2") |
| Image F# | 7.8 |
| Image MTF30(pl/mm) | >115 |
| Object DOF (mm) | ±8.5@F16 |
| Object distortion (%) | <0.1 |
| Object telecentric degree | <0.1 |
| Object I/O(mm) | 653±5 |

Mechanical

| | |
|-------------------|-------------|
| Mount | M42/M48/M58 |
| Total length (mm) | 368.3 |
| N.W(KG) | 4.8 |

Field of View (mm x mm)

| | |
|-----------------------------|-----------|
| 2" DALSA 12M (24.58x18.43) | 89.4x67.0 |
| 2" PYTHON 25K (23.04x23.04) | 83.8x83.8 |