

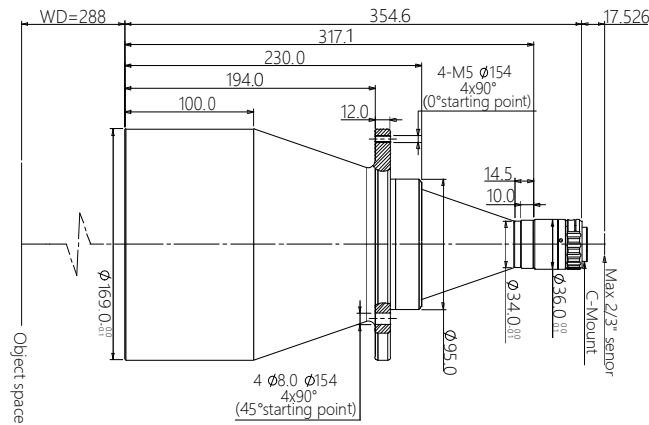


vision solution

Specification

SBS-SCJ288-0.084

High Resolution Double Telecentric Lens



Features (SBS-SCJ series)

- * Excellent double telecentric design for high resolution image result.
- * Field of view is from 26mm to 300mm, suitable for most of application.
- * Big Iris, low distortion, high parallel degree, big depth of view.
- * Sensor size is available for 1/2.5" 1/2" 1/1.8" 2/3" 1" 4/3" 1.75" 2" ϕ 39 35mm full.

Parameters

FOV (Dia.mm)	136
Mag.(x)	0.084
WD (mm)	288 \pm 5
Sensor size (Dia.mm)	11.4(2/3")
Image F#	4.9
Image MTF30(pl/mm)	>185
Object DOF (mm)	\pm 62.4@F11
Object distortion (%)	<0.1
Object telecentric degree	<0.1
Object I/O(mm)	659 \pm 5

Mechanical

Mount	C
Total length (mm)	354.6
N.W(KG)	4.3

Field of View (mm x mm)

1/1.8" EV76C570 (7.2x5.4)	85.7x64.3
1/1.7" IMX226 (7.5x5.6)	89.3x66.7
2/3" IMX250/264 (8.45x7.1)	100.6x84.5