

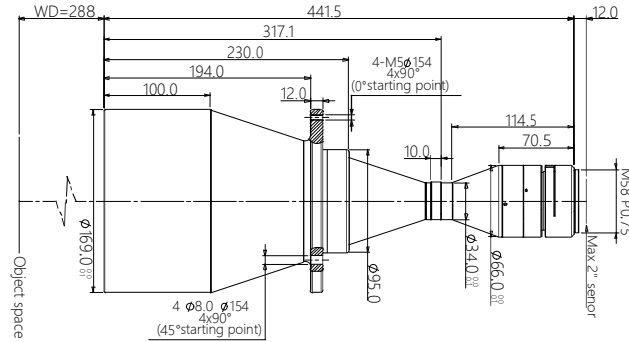


vision solution

# Specification

## SBS-SCJ288-0.243

High Resolution Double Telecentric Lens



### Features (SBS-SCJ series)

- \* Excellent double telecentric design for high resolution image result.
- \* Field of view is from 26mm to 300mm, suitable for most of application.
- \* Big Iris, low distortion, high parallel degree, big depth of view.
- \* Sensor size is available for 1/2.5" 1/2" 1/1.8" 2/3" 1" 4/3" 1.75" 2" Φ39 35mm full.

### Parameters

FOV (Dia.mm)	136
Mag.(x)	0.243
WD (mm)	288±5
Sensor size (Dia.mm)	33(2")
Image F#	7.8
Image MTF30(pl/mm)	>110
Object DOF (mm)	±10.8@F16
Object distortion (%)	<0.1
Object telecentric degree	<0.1
Object I/O(mm)	742±5

### Mechanical

Mount	M42/M48/M58
Total length (mm)	441.5
N.W(KG)	4.8

### Field of View (mm x mm)

2" DALSA 12M (24.58x18.43)	101.2x75.8
2" PYTHON 25K (23.04x23.04)	94.8x94.8