

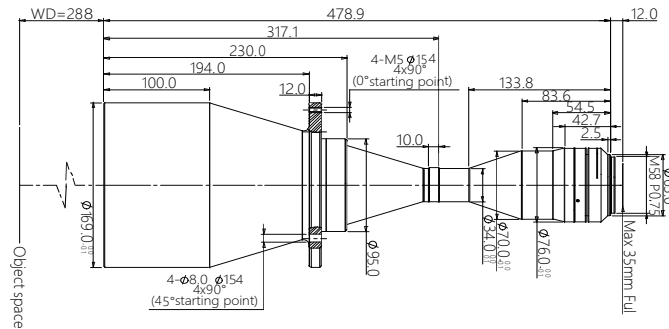


vision solution

Specification

SBS-SCJ288-0.321

High Resolution Double Telecentric Lens



Features (SBS-SCJ series)

- * Excellent double telecentric design for high resolution image result.
- * Field of view is from 26mm to 300mm, suitable for most of application.
- * Big Iris, low distortion, high parallel degree, big depth of view.
- * Sensor size is available for 1/2.5" 1/2" 1/1.8" 2/3" 1" 4/3" 1.75" 2" $\phi 39$ 35mm full.

Parameters

| | |
|---------------------------|-----------------|
| FOV (Dia.mm) | 136 |
| Mag.(x) | 0.321 |
| WD (mm) | 288±5 |
| Sensor size (Dia.mm) | 43.6(35mm Full) |
| Image F# | 7.9 |
| Image MTF30(pl/mm) | >110 |
| Object DOF (mm) | ±6.2@F16 |
| Object distortion (%) | <0.1 |
| Object telecentric degree | <0.1 |
| Object I/O(mm) | 779±6 |

Mechanical

| | |
|-------------------|-------|
| Mount | M58 |
| Total length (mm) | 478.9 |
| N.W(KG) | 5.0 |

Field of View (mm x mm)

| | |
|--------------------------|------------|
| CMV50000 (36.43x27.62) | 113.5x86.0 |
| KAI29050/2 (36.17x24.11) | 112.7x75.1 |
| KAI43142 (36.18x24.12) | 112.7x75.1 |