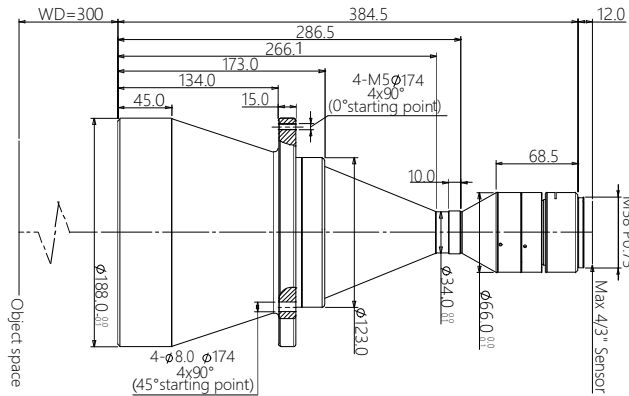




vision solution

# Specification

## SBS-SCJ300-0.16 High Resolution Double Telecentric Lens



### Features (SBS-SCJ series)

- \* Excellent double telecentric design for high resolution image result.
- \* Field of view is from 26mm to 300mm, suitable for most of application.
- \* Big Iris, low distortion, high parallel degree, big depth of view.
- \* Sensor size is available for 1/2.5" 1/2" 1/1.8" 2/3" 1" 4/3" 1.75" 2" Φ39 35mm full.

### Parameters

FOV (Dia.mm)	150
Mag.(x)	0.160
WD (mm)	300±5
Sensor size (Dia.mm)	24(4/3")
Image F#	8.1
Image MTF30(pl/mm)	>115
Object DOF (mm)	±25.0@F16
Object distortion (%)	<0.1
Object telecentric degree	<0.1
Object I/O(mm)	697±5

### Mechanical

Mount	M42/M48/M58
Total length (mm)	384.5
N.W(KG)	6.2

### Field of View (mm x mm)

4/3" Keyence 21M (17.86x14.32)	111.6x89.5
4/3" PYTHON 12K (18.43x13.82)	115.2x86.4
4/3" CMV8000 (18.48x13.73)	115.5x85.8