

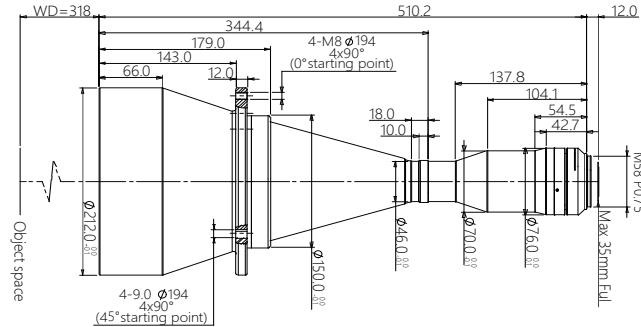


vision solution

Specification

SBS-SCJ318-0.256

High Resolution Double Telecentric Lens



Features (SBS-SCJ series)

- * Excellent double telecentric design for high resolution image result.
- * Field of view is from 26mm to 300mm, suitable for most of application.
- * Big Iris, low distortion, high parallel degree, big depth of view.
- * Sensor size is available for 1/2.5" 1/2" 1/1.8" 2/3" 1" 4/3" 1.75" 2" Φ39 35mm full.

Parameters

FOV (Dia.mm)	170
Mag.(x)	0.256
WD (mm)	318±5
Sensor size (Dia.mm)	43.6(35mm Full)
Image F#	6.0
Image MTF30(pl/mm)	>130
Object DOF (mm)	±6.7@F11
Object distortion (%)	<0.1
Object telecentric degree	<0.1
Object I/O(mm)	840±5

Mechanical

Mount	M58
Total length (mm)	510.2
N.W(KG)	7.5

Field of View (mm x mm)

CMV50000 (36.43x27.62)	142.3x107.9
KAI29050/2 (36.17x24.11)	141.3x94.2
KAI43142 (36.18x24.12)	141.3x94.2