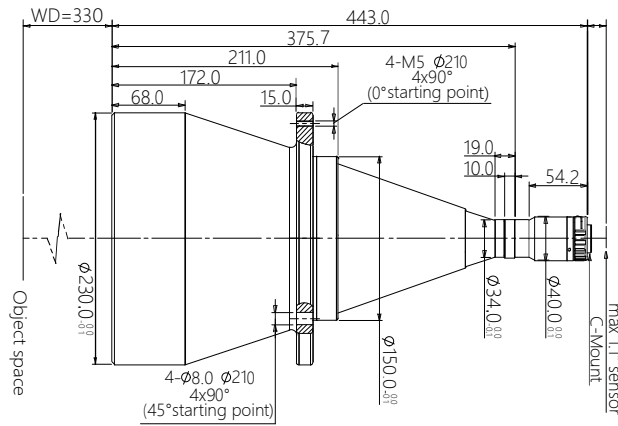




vision solution

# Specification

## SBS-SCJ330-0.097 High Resolution Double Telecentric Lens



### Features (SBS-SCJ series)

- \* Excellent double telecentric design for high resolution image result.
- \* Field of view is from 26mm to 300mm, suitable for most of application.
- \* Big Iris, low distortion, high parallel degree, big depth of view.
- \* Sensor size is available for 1/2.5" 1/2" 1/1.8" 2/3" 1" 4/3" 1.75" 2" Φ39 35mm full.

### Parameters

FOV (Dia.mm)	190
Mag.(x)	0.097
WD (mm)	330±5
Sensor size (Dia.mm)	18.4(1.1")
Image F#	6.2
Image MTF30(pl/mm)	>150
Object DOF (mm)	±46.7@F11
Object distortion (%)	<0.1
Object telecentric degree	<0.1
Object I/O(mm)	791±5

### Mechanical

Mount	C
Total length (mm)	443.0
N.W(KG)	9.7

### Field of View (mm x mm)

1" IMX183 (13.13x8.76)	135.4x90.3
1.1" IMX253 (14.19x10.38)	146.3x107.0