

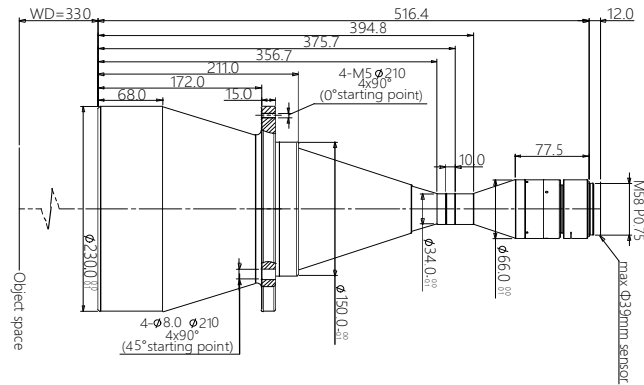


vision solution

# Specification

## SBS-SCJ330-0.205

High Resolution Double Telecentric Lens



### Features (SBS-SCJ series)

- \* Excellent double telecentric design for high resolution image result.
- \* Field of view is from 26mm to 300mm, suitable for most of application.
- \* Big Iris, low distortion, high parallel degree, big depth of view.
- \* Sensor size is available for 1/2.5" 1/2" 1/1.8" 2/3" 1" 4/3" 1.75" 2" Φ39 35mm full.

### Parameters

FOV (Dia.mm)	190
Mag.(x)	0.205
WD (mm)	330±5
Sensor size (Dia.mm)	39
Image F#	6.5
Image MTF30(pl/mm)	>135
Object DOF (mm)	±10.5@F11
Object distortion (%)	<0.1
Object telecentric degree	<0.1
Object I/O(mm)	858±5

### Mechanical

Mount	M58 or Other
Total length (mm)	516.4
N.W(KG)	10.2

### Field of View (mm x mm)

CHR 70M (31.0x21.7)	151.2x105.9
---------------------	-------------