

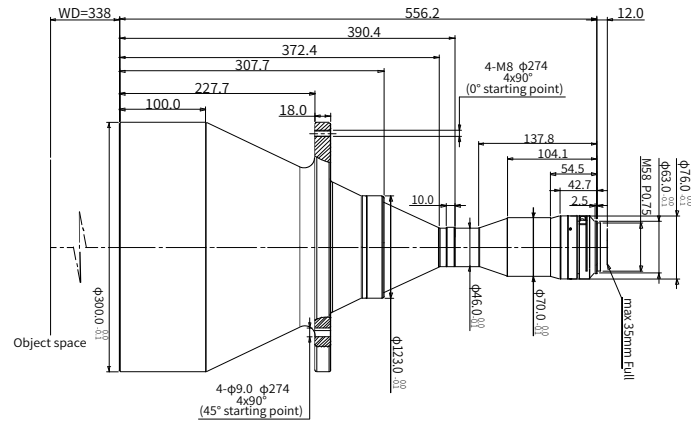


vision solution

Specification

SBS-SCJ338-0.169

High Resolution Double Telecentric Lens



Features (SBS-SCJ series)

- * Excellent double telecentric design for high resolution image result.
- * Field of view is from 26mm to 300mm, suitable for most of application.
- * Big Iris, low distortion, high parallel degree, big depth of view.
- * Sensor size is available for 1/2.5" 1/2" 1/1.8" 2/3" 1" 4/3" 1.75" 2" φ39 35mm full.

Parameters

FOV (Dia.mm)	258
Mag.(x)	0.169
WD (mm)	338±5
Sensor size (Dia.mm)	43.6(35mm Full)
Image F#	6.0
Image MTF30(pl/mm)	>120
Object DOF (mm)	±15.4@F11
Object distortion (%)	<0.1
Object telecentric degree	<0.1
Object I/O(mm)	906±5

Mechanical

Mount	M58
Total length (mm)	556.2
N.W(KG)	-

Field of View (mm x mm)

CMV50000 (36.43x27.62)	215.6x163.4
KAI29050/2 (36.17x24.11)	214.0x142.7
KAI43142 (36.18x24.12)	214.1x142.7