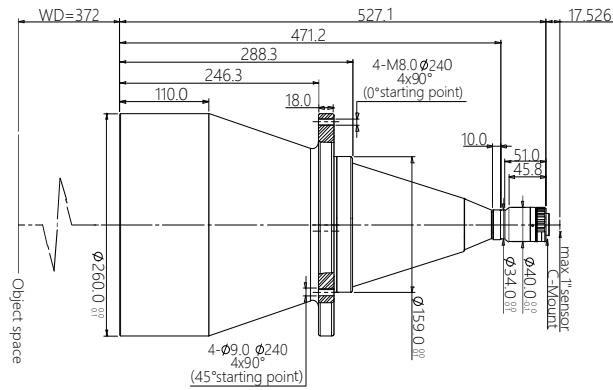




vision solution

Specification

SBS-SCJ372-0.077 High Resolution Double Telecentric Lens



Features (SBS-SCJ series)

- * Excellent double telecentric design for high resolution image result.
- * Field of view is from 26mm to 300mm, suitable for most of application.
- * Big Iris, low distortion, high parallel degree, big depth of view.
- * Sensor size is available for 1/2.5" 1/2" 1/1.8" 2/3" 1" 4/3" 1.75" 2" Φ39 35mm full.

Parameters

FOV (Dia.mm)	216
Mag.(x)	0.077
WD (mm)	372±5
Sensor size (Dia.mm)	16.6(1")
Image F#	6.5
Image MTF30(pl/mm)	>140
Object DOF (mm)	±107.9@F16
Object distortion (%)	<0.1
Object telecentric degree	<0.1
Object I/O(mm)	917±5

Mechanical

Mount	C
Total length (mm)	527.1
N.W(KG)	13.9

Field of View (mm x mm)

1" PYTHON 5000(12.43x9.83)	161.4x127.7
1" IMX255(14.19x7.51)	184.3x97.5
1" IMX183(13.13x8.76)	170.5x113.8