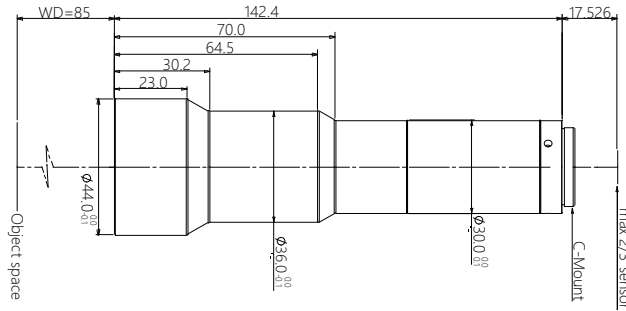




vision solution

# Specification

## SBS-SCP85-0.4 High Performance Double Telecentric Lens



### Features (SBS-SCP series)

- \*SCP series is designed for line scan with big sensor size and high accuracy.
- \*Support 35mm full frame area scan camera.
- \*Extreme imaging aperture, extraordinary diffraction limited imaging resolution, match high resolution camera.
- \*Adjustable iris ring can be chosen.

### Parameters

FOV (Dia.mm)	27.5
Mag.(x)	0.400
WD (mm)	85±2
Sensor size (Dia.mm)	11.0(2/3")
Image F#	4.5
Image MTF30(pl/mm)	>205
Object DOF (mm)	±1.1@F4.5
Object distortion (%)	<0.03
Object telecentric degree	<0.1
Object I/O(mm)	245±2

### Mechanical

Mount	C	Field of View (mm x mm)	
Total length (mm)	142.4		
N.W(KG)	-	1/1.8" EV76C570 (7.2x5.4)	18.0x13.5
Iris adjust	N	1/1.7" IMX226 (7.5x5.6)	18.8x14.0
Coaxial structure	N	2/3" IMX250/264 (8.45x7.1)	21.1x17.8