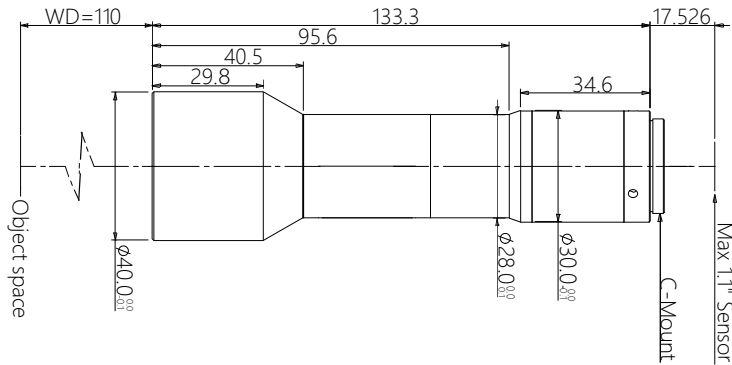




vision solution

Specification

SBS-YXDX110-1 Big Sensor Size Telecentric Lens



Features (SBS-YXDX series)

- * Large FOV with low magnification.
- * Big working distance easy for illuminations and object allocation design.
- * High accuracy, low distortion, high telecentricity.
- * support up to 1.1" 12M class high-speed camera.

Parameters

Mag.(x)	1.0
WD (mm)	110±2
Sensor size (Dia.mm)	18.0(1.1")
Image F#	7
Image MTF30(pl/mm)	>105
Object DOF (mm)	±0.3@F7
Object distortion (%)	<0.13
Object telecentric degree	<0.18

Mechanical

Mount	C
Total length (mm)	133.3
Coaxial structure	N

Field of View (mm x mm)

1" IMX183 (13.13x8.76)	13.1x8.8
1.1" IMX253 (14.19x10.38)	14.2x10.4