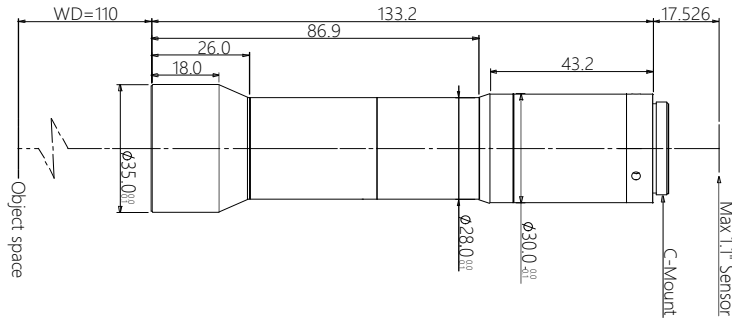




vision solution

Specification

SBS-YXDX110-2 Big Sensor Size Telecentric Lens



Features (SBS-YXDX series)

- * Large FOV with low magnification.
- * Big working distance easy for illuminations and object allocation design.
- * High accuracy, low distortion, high telecentricity.
- * support up to 1.1" 12M class high-speed camera.

Parameters

Mag.(x)	2.0
WD (mm)	110±2
Sensor size (Dia.mm)	18.0(1.1")
Image F#	13.5
Image MTF30(pl/mm)	>60
Object DOF (mm)	±0.14@F13.5
Object distortion (%)	<0.1
Object telecentric degree	<0.1

Mechanical

Mount	C
Total length (mm)	133.2
Coaxial structure	N

Field of View (mm x mm)

1" IMX183 (13.13x8.76)	6.6x4.4
1.1" IMX253 (14.19x10.38)	7.1x5.2